

CO-ORDINATED DIMMING OF DISPARATE SECTIONS OF 12V NEON FLEX AND FLEXIBLE STRIPS

SCENARIO
CUSTOMER WOULD LIKE TO HAVE CO-ORDINATED DIMMING OR RGB COLOUR CONTROL OF A NUMBER OF DISPARATE SECTIONS OF LOW VOLTAGE (12V OR 24V) NEON FLEX OR FLEXIBLE STRIPS.

SOLUTION
DIMMING OR CONTROLLING THE COLOURS OF RGB NEON FLEX OR FLEXIBLE STRIPS, OR DIMMING SINGLE COLOUR NEON FLEX OR FLEXIBLE STRIPS, REQUIRES THE USE OF ONE OR MORE CONTROLLERS. BECAUSE EACH CONTROLLER CAN ONLY CONTROL A LIMITED LENGTH OF LOW VOLTAGE NEON FLEX OR FLEXIBLE STRIPS, MULTIPLE CONTROLLERS MAY BE REQUIRED. IT IS POSSIBLE TO CONTROL MORE THAN ONE CONTROLLER WITH A SINGLE UNATTACHED REMOTE CONTROL, THE RISK OF THIS IS THAT THE CONTROLLERS RESPOND SLIGHTLY DIFFERENTLY TO THE REMOTE CONTROL AND DIM UNEVENLY. FOR PRECISELY SYNCHRONISED DIMMING ACROSS MULTIPLE CONTROLLERS, A MASTER CONTROLLER IS REQUIRED, ONE WHICH CAN CONTROL MULTIPLE SLAVE CONTROLLERS.

DEPENDING ON THE COMPLEXITY OF CONTROL REQUIRED, THE MASTER CONTROL MECHANISM MAY BE ONE OF:

- A. A DMX CONTROL PANEL
- B. DMX CONTROL SOFTWARE
- C. A MANUALLY OPERATED CONTROL PANEL
- D. A MANUALLY CONTROLLED REMOTE CONTROL / SMARTPHONE & TABLET APPLICATION

Solution 1 – Remote & app controlled, wireless master / slave

Multiple SR-1009EAWI controllers controlled by one remote control / smart. One master controller synchronises other controllers via an RF signal.

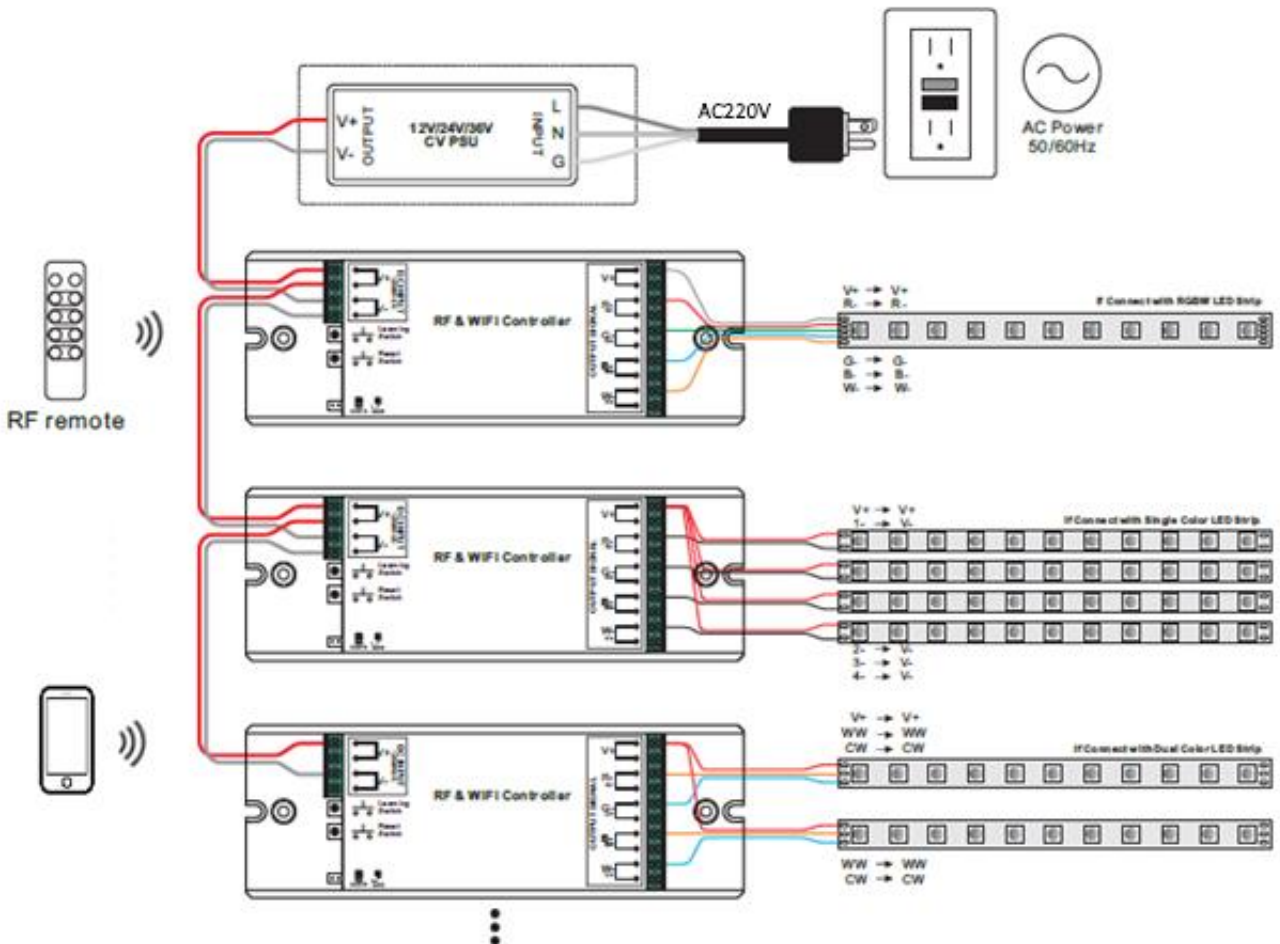
Supports: RGB, WRGBW, Single colour

Required: Multiple x SR-1009EAWI controllers
1 x Remote control / application

SR-1009EAWI supports 4 channels and each channel can drive a maximum of 8A.

Maximum lengths of LED neon flex or flexible strips which can be run off SR-1009EAWI controller:

	Watts / m	Max length Power from one end	Max length Power from two ends
Analogue RGB	14.4	5m in total	10m in total
Analogue RGBW	14.4	5m in total	10m in total
Single colour	12	5m per channel 20m in total	8m per channel 32m in total
Single colour	14	5m per channel 20m in total	6m per channel 24m in total



Solution 2 – Remote controlled, wired master / slave

One master controller controlling multiple slave controllers (wired), with the master controller controlled by a remote control. Being wired, the signal orchestration between the controllers is fail-safe and always consistent.

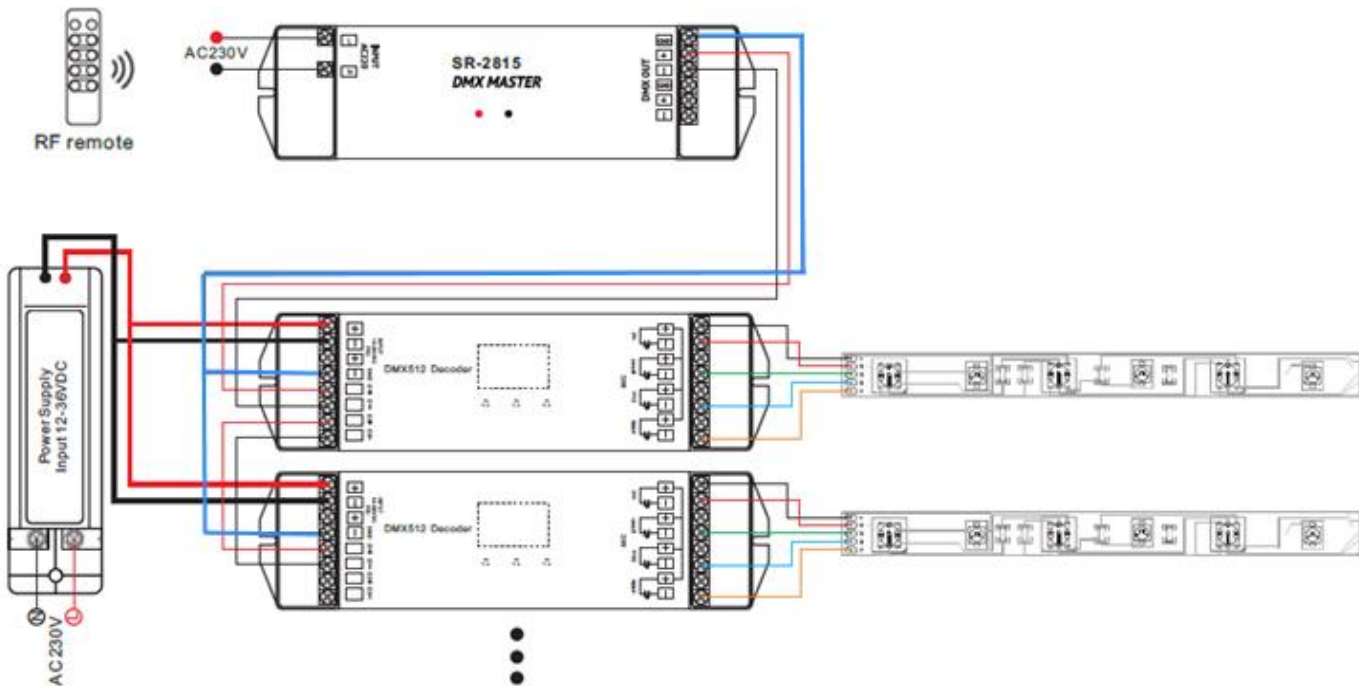
Supports: RGB, RGBW, Single colour

Required: 1 x SR-2815 controller
 Multiple x SR-2108EA controller
 1 x Remote control (SR-2806 / SR-2809 / SR-2804)

SR-2108EA supports 4 channels and each channel can drive a maximum of 8A.

Maximum lengths of LED neon flex or flexible strips which can be run off SR-2108EA controller:

	Watts / m	Max length Power from one end	Max length Power from two ends
Analogue RGB	14.4	5m in total	10m in total
Analogue RGBW	14.4	5m in total	10m in total
Single colour	12	5m per channel 20m in total	8m per channel 32m in total
Single colour	14	5m per channel 20m in total	6m per channel 24m in total



Solution 3 – Wired dimmer, wired master / slave

One master controller controlling multiple slave controllers (wired). Being wired, the signal orchestration between the controllers is fail-safe and always consistent.

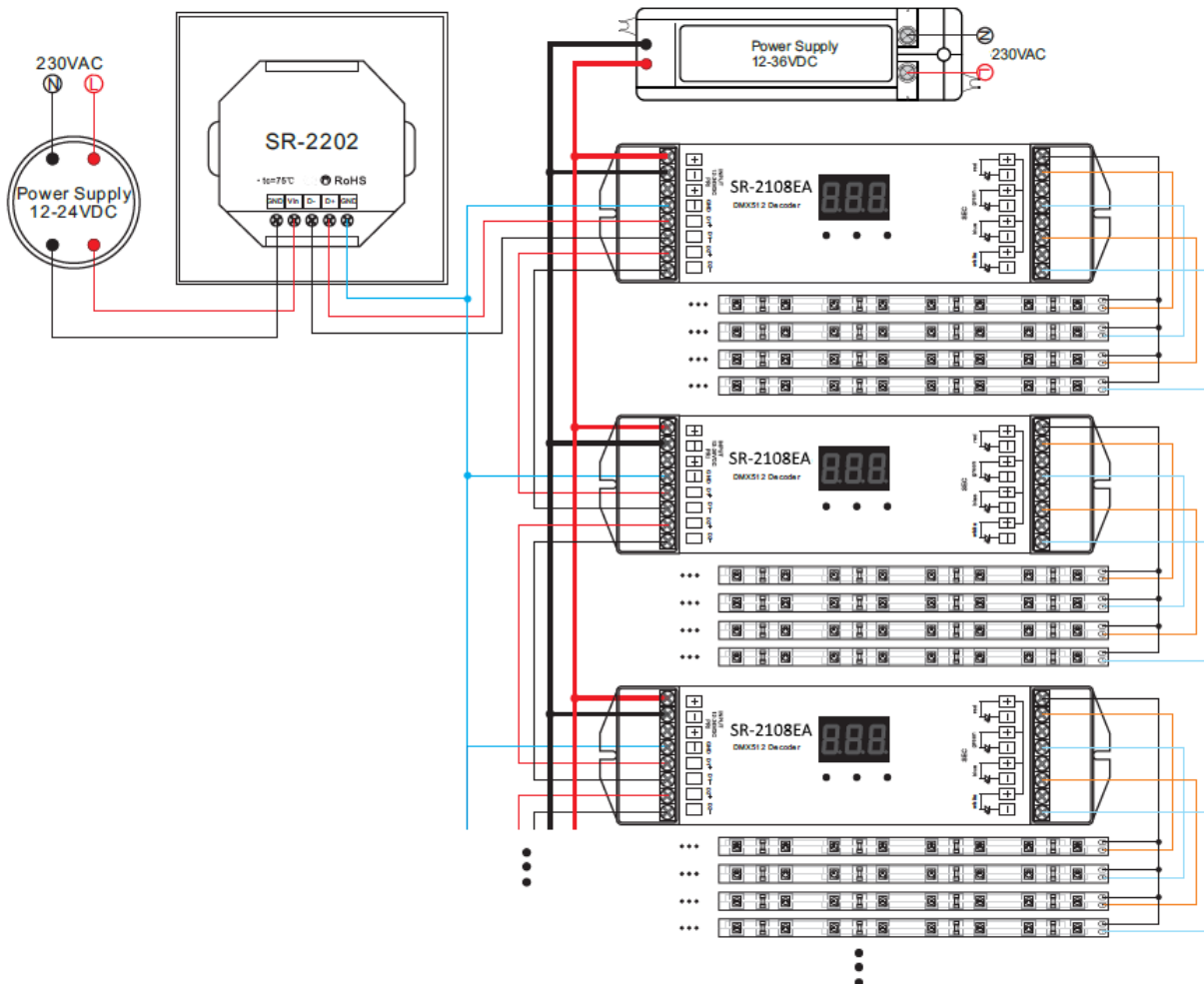
Supports: Single colour

Required: 1 x SR-2202
Multiple x SR-2108EA

SR-2108EA supports 4 channels and each channel can drive a maximum of 8A.

Maximum lengths of LED neon flex or flexible strips which can be run off SR-2108EA controller:

	Watts / m	Max length Power from one end	Max length Power from two ends
Single colour	12	5m per channel 20m in total	8m per channel 32m in total
Single colour	14	5m per channel 20m in total	6m per channel 24m in total



Solution 4 – DMX controller, wired master / slave

master controller controlling multiple slave controllers (wired). Being wired, the signal orchestration between the controllers is fail-safe and always consistent.

Supports: RGB, RGBW, Single colour

Required: 1 x SR-2816
1 x SR-2102BEA-RJ45
Multiple x SR-2108EA

SR-2108EA & SR-2102BEA maximum lengths of LED neon flex or flexible strips:

	Watts / m	Max length Power from one end	Max length Power from two ends
Analogue RGB	14.4	5m	10m
Analogue RGBW	14.4	5m	10m
Single colour	12	5m per channel 20m in total	8m per channel 32m in total
Single colour	14	5m per channel 20m in total	6m per channel 24m in total

